



Twisted-Pair Distribution
One Input Eight Output (without Amplifier)

KE 0108CH-DW

Features

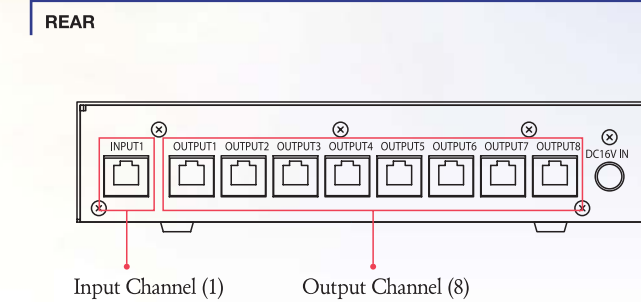
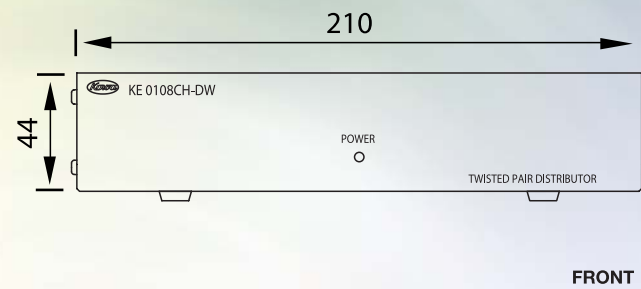
- **Input** : Female RJ-45 connector
- **Output** : eight RJ-45 connector
- Splits and amplifies input from one twisted pair transmitter to multiple twisted pair receivers.
- Supports RGBHV, RGBS, composite video, S-Video, component video.
- Supports audio and unidirectional RS-232 signals.

Specifications

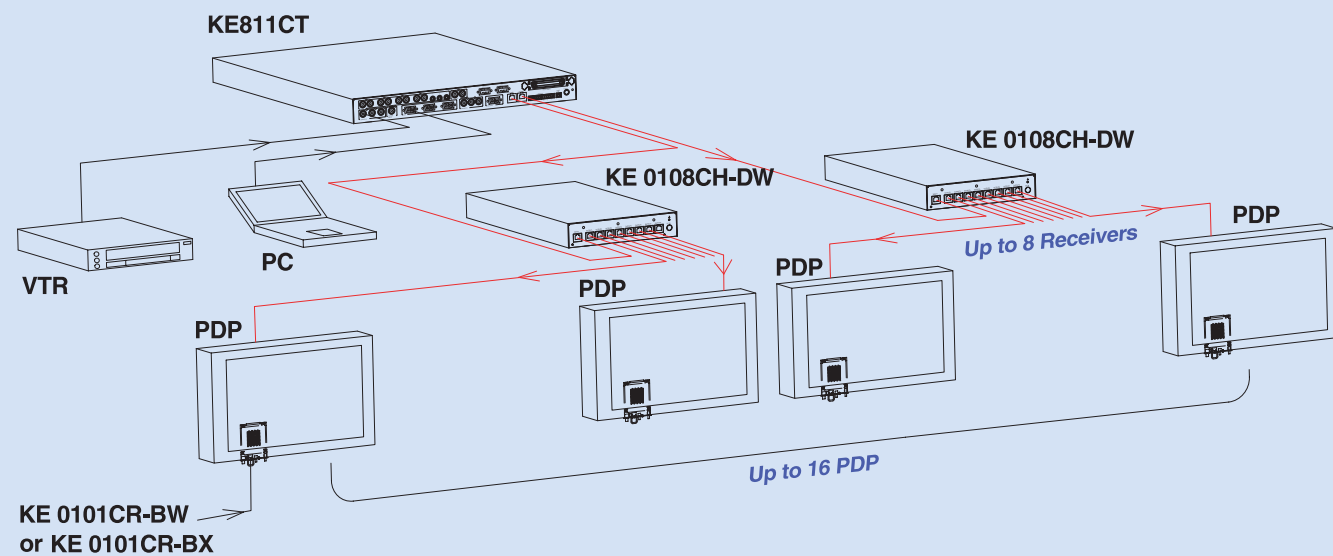
Input channel	: 1
Output channel	: 8
Input connector	: RJ-45 connector
Output connector	: RJ-45 connector
Extension cable	: CAT5/CAT5e/CAT6
Power Supply	: 100-240VAC50/60Hz
Power consumption	: Approx. 12W
Dimension	: 210(W)x 250(D)x 44(H)mm

※The KE0108CH-DW can not use TCP/IP Network.

Panel Drawing



Application



● KE811CT can switch the input contents, power ON/OFF and etc for all Plasma display.

⚠ **NOTE:** Not compatible with network equipment.
Specifications are subject to change without notice.

Contact the following for details on the product.

Kowa Company, Ltd.

Electronics and Optics Division

No.4-14, 3-chome, Nihonbashi-Honcho, Chuo-ku, Tokyo 103-8433, Japan
Phone:+81(0)3-3279-7330 Facsimile:+81(0)3-3242-3170 E-mail: i-master@kowa.co.jp

Kowa Europe GmbH

Immermannstrasse 65A 40210 Dusseldorf F.R. Germany
Phone:+49(0)211-1793540 Facsimile:+49(0)211-161952

Kowa Optimed, Inc.

20001 So. Vermont Ave. Torrance, CA 90502, U.S.A
Phone:+1(310)327-1913 Facsimile:+1(310)327-4177
E-mail: i-master@kowa.com

URL : <http://www.kowa.co.jp/i-master/cat5-eng/>



CAT5 SWITCHER KE811CT



Simple system is Best!



8 input

8 input, 1 CAT5 out (2 distribution)

Display control

It can control the PDP through RS-232C.
(Initial setting already installed.)

Twisted pair

Signals can be transmitted long distance through CAT5e Cable.